



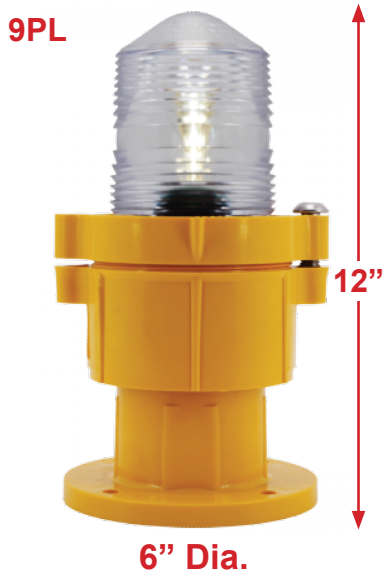
9 SERIES STANDARD

Marker Light Applications:
Buoys, Docks, Bridges, Jetties,
Hurricane Barriers

SPECIFICATIONS:

- Range:** 3 - 7 miles available (See chart below)
- Lamp Life:** 50,000 - 100,000 hours
- Material:** Light stabilized polycarbonate
- Dimensions:** As shown
- Voltages:** 12 or 24 VDC, 120 VAC
- Mount:** 4x4, Flat, Platform, Pipe
- Flash Rates:** 10, 15, 24, 30, 60 FPM or steady
- Standards:** Also any of the IALA flash codes meets all requirements of 33CFR Subpart 66

***Warranty:** One year parts and labor at no charge, except for physical damage or abuse



| MOUNT | VOLT. | CONFIG | MODE | RANGE | FLUX | *E.I. | COLOR | FLASH RATES |
|------------------|-----------------|---------------|--------|-------|------|-------|-------|--------------------------------|
| 9 9PL 94X4 | 12 24 120 | 1L5V 1L12V | STEADY | 3 | 0.05 | 17.7 | WHITE | 10, 15, 24, 30, & 60 FPM |
| | | | STEADY | 4 | 0.10 | 35 | | |
| | | | STEADY | 5 | 0.18 | 63 | | |
| | | | STEADY | 6 | 0.32 | 111 | | |
| | | | FLASH | 6 | 0.35 | 100 | | |
| | | | FLASH | 7 | 0.60 | 250 | | |
| 9 9PL 94X4 | 12 24 120 | 1L5V 1L12V | STEADY | 3 | 0.07 | 16.5 | GREEN | 10, 15, 24, 30, & 60 FPM |
| | | | STEADY | 4 | 0.17 | 35 | | |
| | | | STEADY | 5 | 0.45 | 68 | | |
| | | | FLASH | 7 | 0.50 | 63 | | |
| | | | FLASH | 6 | 0.90 | 110 | | |
| | | | FLASH | 6 | 0.90 | 110 | | |
| 9 9PL 94X4 | 12 24 120 | 1L5V 1L12V | STEADY | 3 | 0.12 | 17.5 | RED | 10, 15, 24, 30, & 60 FPM |
| | | | STEADY | 4 | 0.25 | 35 | | |
| | | | FLASH | 5 | 0.56 | 71 | | |
| | | | FLASH | 6 | 0.95 | 100 | | |
| | | | FLASH | 6 | 0.95 | 100 | | |
| | | | FLASH | 6 | 0.95 | 100 | | |
| 9 9PL 94X4 | 12 24 120 | 1L5V 1L12V | STEADY | 3 | 0.11 | 16.5 | AMBER | 10, 15, 24, 30, & 60 FPM |
| | | | STEADY | 4 | 0.23 | 33 | | |
| | | | FLASH | 5 | 0.75 | 70 | | |
| | | | FLASH | 5 | 0.75 | 70 | | |
| | | | FLASH | 5 | 0.75 | 70 | | |
| | | | FLASH | 5 | 0.75 | 70 | | |

